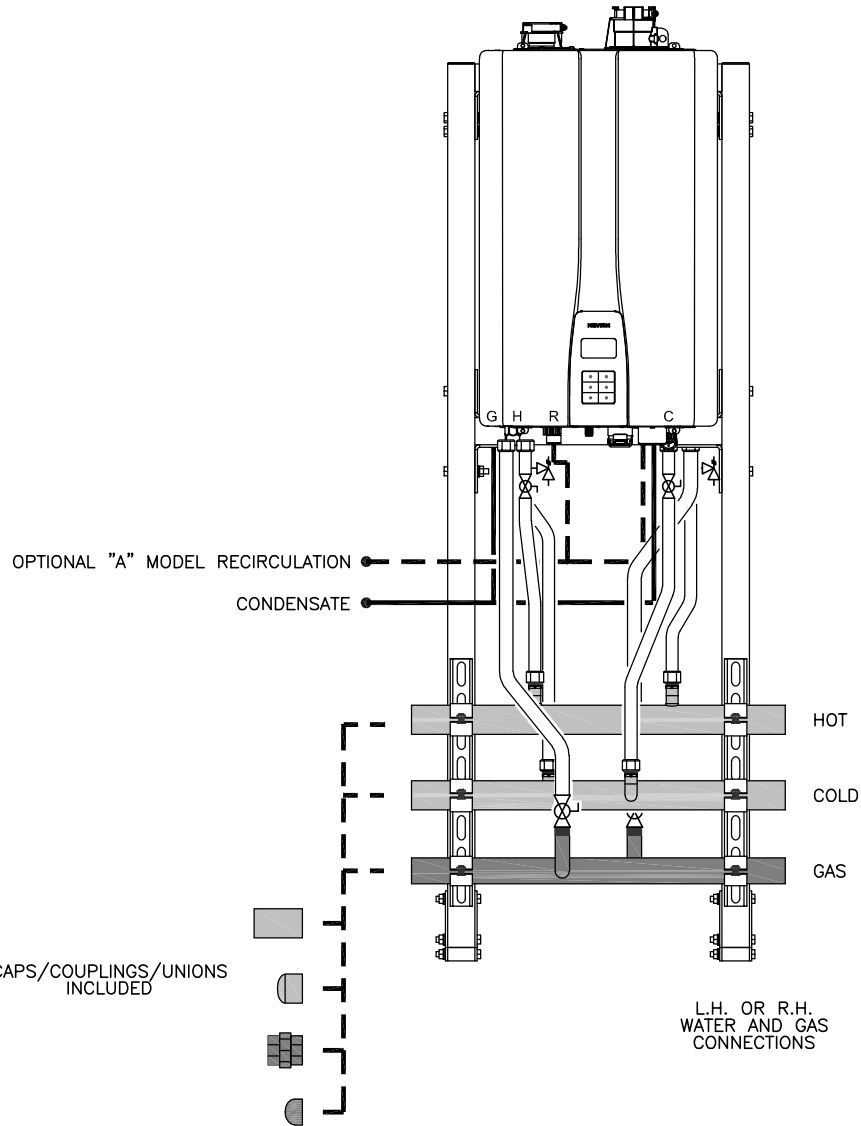


THIS DRAWING IS INTENDED ONLY AS A GUIDE AND NOT AS A REPLACEMENT FOR PROFESSIONALLY ENGINEERED PROJECT DRAWINGS. THIS CONCEPT SYSTEM DRAWING DOES NOT IMPLY COMPLIANCE WITH LOCAL BUILDING CODES. ACTUAL INSTALLATION MAY VARY DEPENDING ON INSTALLATION LOCATION AND PARAMETERS AND IT MUST BE DONE IN ACCORDANCE TO ALL LOCAL BUILDING CODES. VERIFY WITH LOCAL BUILDINGS OFFICIALS BEFORE COMMENCEMENT OF SYSTEM INSTALLATION. CHANGES OR MODIFICATIONS TO PIPING OR DESIGN IS NOT TO BE PERFORMED WITHOUT EXPRESSED WRITTEN PERMISSION BY NAVIEN, INC.



**COMPONENTS SHOWN:**  
 2 - NPE-240A2 OR S2 MODEL TANKLESS  
 1 - #30019039A 2 UNIT BACK-TO-BACK MANIFOLD KIT  
 1 - GFFM-KDIZUS-005 BASE RACK  
 RECIRCULATION PIPING & CONDENSATE DRAIN IS FIELD SUPPLIED



20 GOODYEAR  
 IRVINE, CA 92618  
 800-519-8794  
 www.navienc.com

NPE-2 SERIES TANKLESS WATER HEATER

NAVIEN READY-LINK MANIFOLD SYSTEM  
 (2) UNITS BACK-TO-BACK READY-LINK MANIFOLD KIT  
 WITH READY-LINK RACK SYSTEM

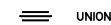
DRAWN BY:

S. STOEKE

NPE-2-RDYLKSYS-2U-BtoB

DECEMBER 14, 2022

SYMBOL LEGEND



UNION



PRESSURE RELIEF VALVE



FULL-PORT VALVE



CASCADE CABLE