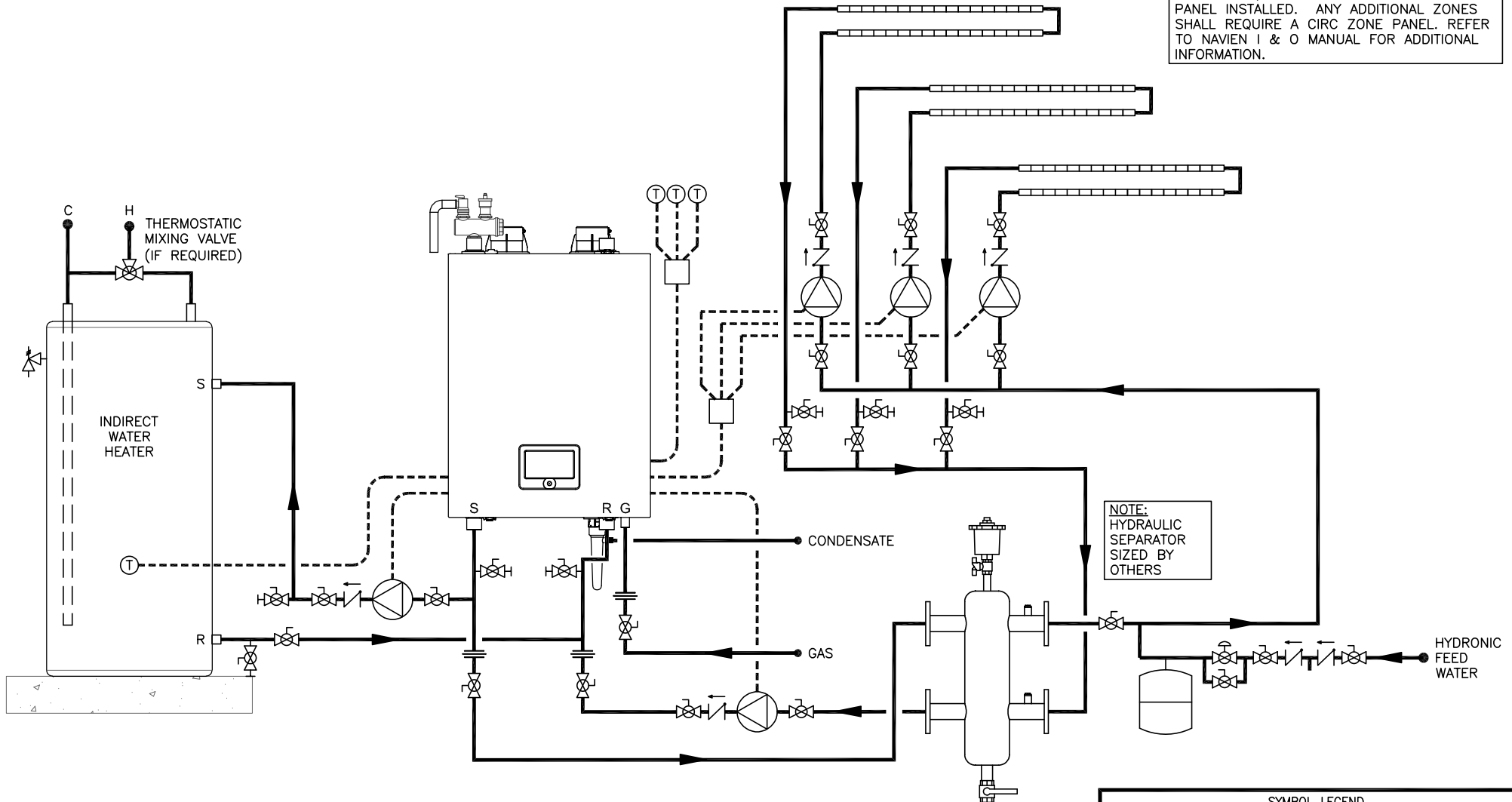


THIS DRAWING IS INTENDED ONLY AS A GUIDE AND NOT AS A REPLACEMENT FOR PROFESSIONALLY ENGINEERED PROJECT DRAWINGS. THIS CONCEPT SYSTEM DRAWING DOES NOT IMPLY COMPLIANCE WITH LOCAL BUILDING CODES. ACTUAL INSTALLATION MAY VARY DEPENDING ON INSTALLATION LOCATION AND PARAMETERS AND IT MUST BE DONE IN ACCORDANCE TO ALL LOCAL BUILDING CODES. VERIFY WITH LOCAL BUILDINGS OFFICIALS BEFORE COMMENCEMENT OF SYSTEM INSTALLATION. CHANGES OR MODIFICATIONS TO PIPING OR DESIGN IS NOT TO BE PERFORMED WITHOUT EXPRESSED WRITTEN PERMISSION BY NAVIEN, INC.

RECOMMENDED SYSTEM & HEADER PIPE SIZES – TOTAL BTU (>4 FT/SEC.)

- 1-1/2" – UP TO 301,000 BTU'S (1 BOILER)
- 2" – 399,000 BTU'S (1 BOILER)
- 2-1/2" – 601,000 TO 798,000 BTU'S (2 BOILERS)
- 3" – 903,000 TO 1,197,000 BTU'S (3 BOILERS)
- 4" – 1,204,000 TO 3,192,000 BTU'S (4 TO 8 BOILERS)

NFB-C UNIT CAN INTERNALLY CONTROL UP TO 3 ZONE CIRCULATORS PLUS 1 DHW CIRCULATOR, WITHOUT A ZONE CONTROL PANEL INSTALLED. ANY ADDITIONAL ZONES SHALL REQUIRE A CIRC ZONE PANEL. REFER TO NAVIEN I & O MANUAL FOR ADDITIONAL INFORMATION.



NOTE:
HYDRAULIC SEPARATOR SIZED BY OTHERS

| SYMBOL LEGEND | | | |
|---------------|---------------------------|--|-------------------------|
| | BACKFLOW PREVENTER | | CHECK VALVE |
| | FULL-PORT VALVE | | EXPANSION TANK |
| | CONTROL WIRING | | PRESSURE RELIEF VALVE |
| | CIRCULATOR | | THERMOSTAT |
| | CONDENSATE TRAP | | AIR ELIMINATION |
| | COPPER BASEBOARD FIN TUBE | | UNION |
| | BOILER RELIEF VALVE | | MIXING VALVE |
| | BALL DRAIN VALVE | | PRESSURE REDUCING VALVE |
| | HYDRAULIC SEPARATOR | | |



20 GOODYEAR
IRVINE, CA 92618
800-519-8794
www.navienc.com

NFB-C SERIES BOILER

(1) NFB-C CONDENSING BOILER WITH MULTIPLE ZONE CIRCULATORS AND INDIRECT WATER HEATER WITH HYDRAULIC SEPARATOR INCLUDES MODELS NFB-301C, 399C

DRAWN BY: S. STOEKE

NFB-C-1-3ZP-IDWH-HS

JUNE 9, 2022