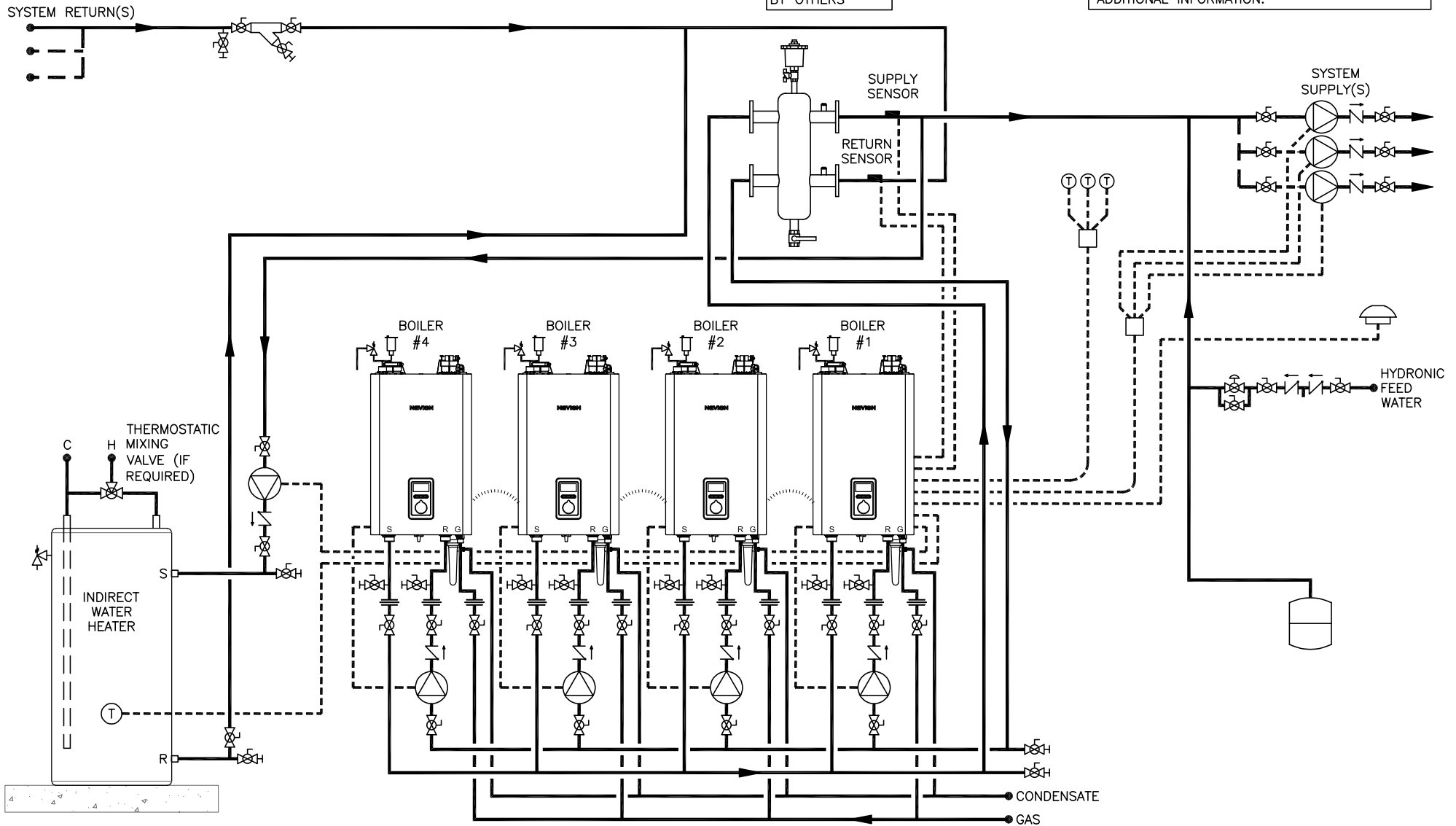


THIS DRAWING IS INTENDED ONLY AS A GUIDE AND NOT AS A REPLACEMENT FOR PROFESSIONALLY ENGINEERED PROJECT DRAWINGS. THIS CONCEPT SYSTEM DRAWING DOES NOT IMPLY COMPLIANCE WITH LOCAL BUILDING CODES. ACTUAL INSTALLATION MAY VARY DEPENDING ON INSTALLATION LOCATION AND PARAMETERS AND IT MUST BE DONE IN ACCORDANCE TO ALL LOCAL BUILDING CODES. VERIFY WITH LOCAL BUILDINGS OFFICIALS BEFORE COMMENCEMENT OF SYSTEM INSTALLATION. CHANGES OR MODIFICATIONS TO PIPING OR DESIGN IS NOT TO BE PERFORMED WITHOUT EXPRESSED WRITTEN PERMISSION BY NAVIEN, INC.

NOTE:  
HYDRAULIC  
SEPARATOR SIZED  
BY OTHERS

NFB-H UNIT CAN INTERNALLY CONTROL UP TO 3 ZONE CIRCULATORS, WITHOUT A ZONE CONTROL PANEL INSTALLED. ANY ADDITIONAL ZONES SHALL REQUIRE A CIRC ZONE PANEL. REFER TO NAVIEN I & O MANUAL FOR ADDITIONAL INFORMATION.



SYMBOL LEGEND			
	BACKFLOW PREVENTER		CHECK VALVE
	FULL-PORT VALVE		EXPANSION TANK
	CONTROL WIRING		PRESSURE RELIEF VALVE
	CIRCULATOR		THERMOSTAT
	CONDENSATE TRAP		AIR ELIMINATION
	OUTDOOR TEMPERATURE SENSOR		UNION
	WYE STRAINER W/ BLOWDOWN		MIXING VALVE
	BALL DRAIN VALVE		PRESSURE REDUCING VALVE
	AUTOMATIC AIR VENT		HYDRAULIC SEPARATOR
	CASCADE CABLE		



20 GOODYEAR  
IRVINE, CA 92618  
800-519-8794  
www.navienc.com

NFB-H SERIES BOILER

(4) NFB-H BOILERS WITH INDIRECT WATER HEATER  
COMMON SECONDARY INJECTION PIPING WITH HYDRAULIC SEPARATOR  
INCLUDES MODELS NFB-175H, 200H

DRAWN BY: S. STOIKE

NFB-H-4-ZP-MULT-IDWH-C-HS

MAY 23, 2022