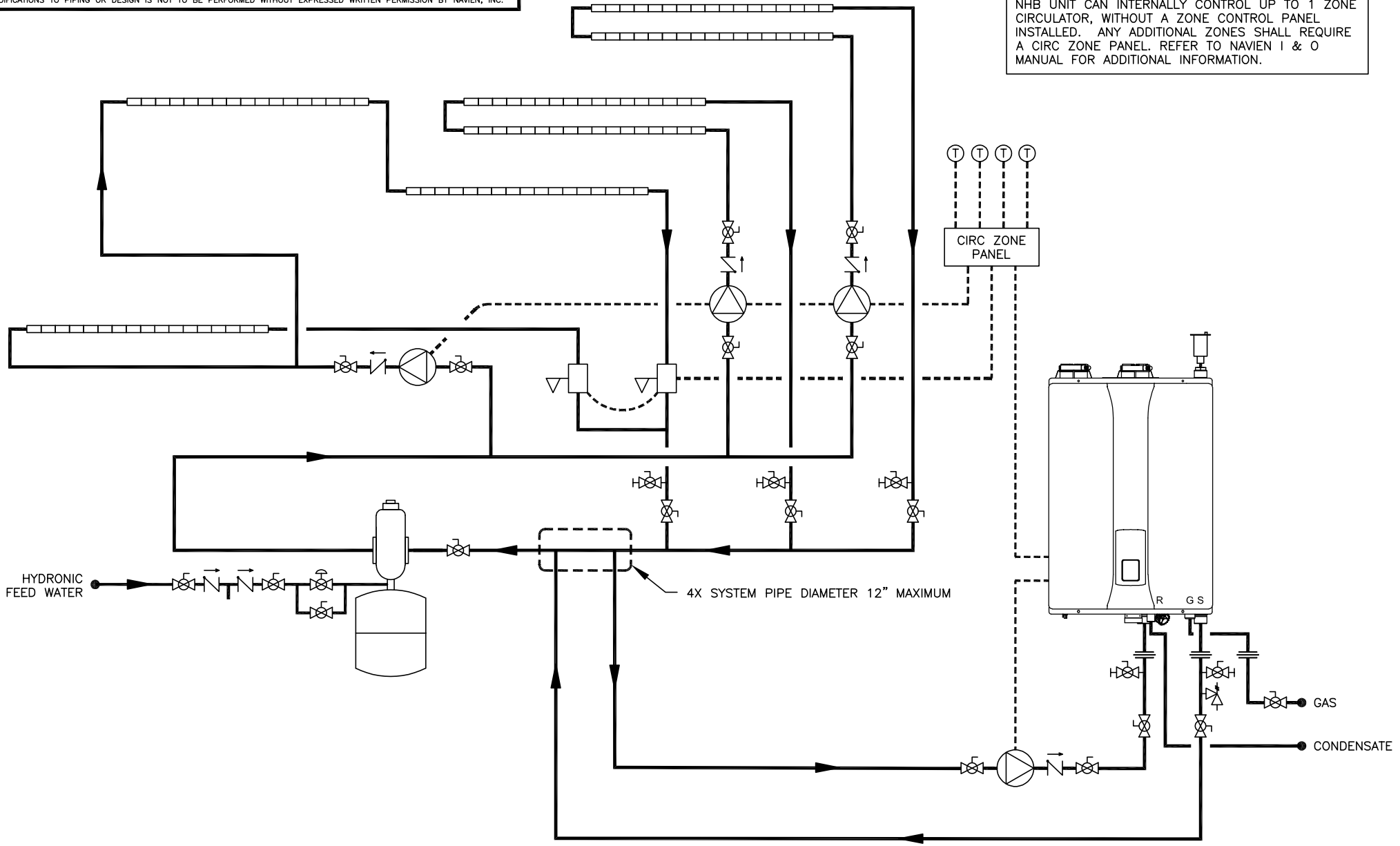


THIS DRAWING IS INTENDED ONLY AS A GUIDE AND NOT AS A REPLACEMENT FOR PROFESSIONALLY ENGINEERED PROJECT DRAWINGS. THIS CONCEPT SYSTEM DRAWING DOES NOT IMPLY COMPLIANCE WITH LOCAL BUILDING CODES. ACTUAL INSTALLATION MAY VARY DEPENDING ON INSTALLATION LOCATION AND PARAMETERS AND IT MUST BE DONE IN ACCORDANCE TO ALL LOCAL BUILDING CODES. VERIFY WITH LOCAL BUILDINGS OFFICIALS BEFORE COMMENCEMENT OF SYSTEM INSTALLATION. CHANGES OR MODIFICATIONS TO PIPING OR DESIGN IS NOT TO BE PERFORMED WITHOUT EXPRESSED WRITTEN PERMISSION BY NAVIEN, INC.

NHB UNIT CAN INTERNALLY CONTROL UP TO 1 ZONE CIRCULATOR, WITHOUT A ZONE CONTROL PANEL INSTALLED. ANY ADDITIONAL ZONES SHALL REQUIRE A CIRC ZONE PANEL. REFER TO NAVIEN I & O MANUAL FOR ADDITIONAL INFORMATION.



**Navien**  
 20 GOODYEAR  
 IRVINE, CA 92618  
 800-519-8794  
 www.navienc.com

NHB SERIES BOILER

(1) NHB BOILER WITH MULTIPLE ZONE CIRCULATORS AND ZONE VALVES  
 INCLUDES MODELS NHB-55,80,110,150

DRAWN BY: S. STOEKE

NHB-1-2ZP-2ZV

AUGUST 15, 2022

| SYMBOL LEGEND |                           |  |                       |
|---------------|---------------------------|--|-----------------------|
|               | BACKFLOW PREVENTER        |  | CHECK VALVE           |
|               | FULL-PORT VALVE           |  | EXPANSION TANK        |
|               | CONTROL WIRING            |  | PRESSURE RELIEF VALVE |
|               | PRESSURE REDUCING VALVE   |  | CIRCULATOR            |
|               | AIR ELIMINATION           |  | THERMOSTAT            |
|               | AUTOMATIC AIR VENT        |  | UNION                 |
|               | COPPER BASEBOARD FIN TUBE |  | ZONE VALVE            |
|               |                           |  | BALL DRAIN VALVE      |