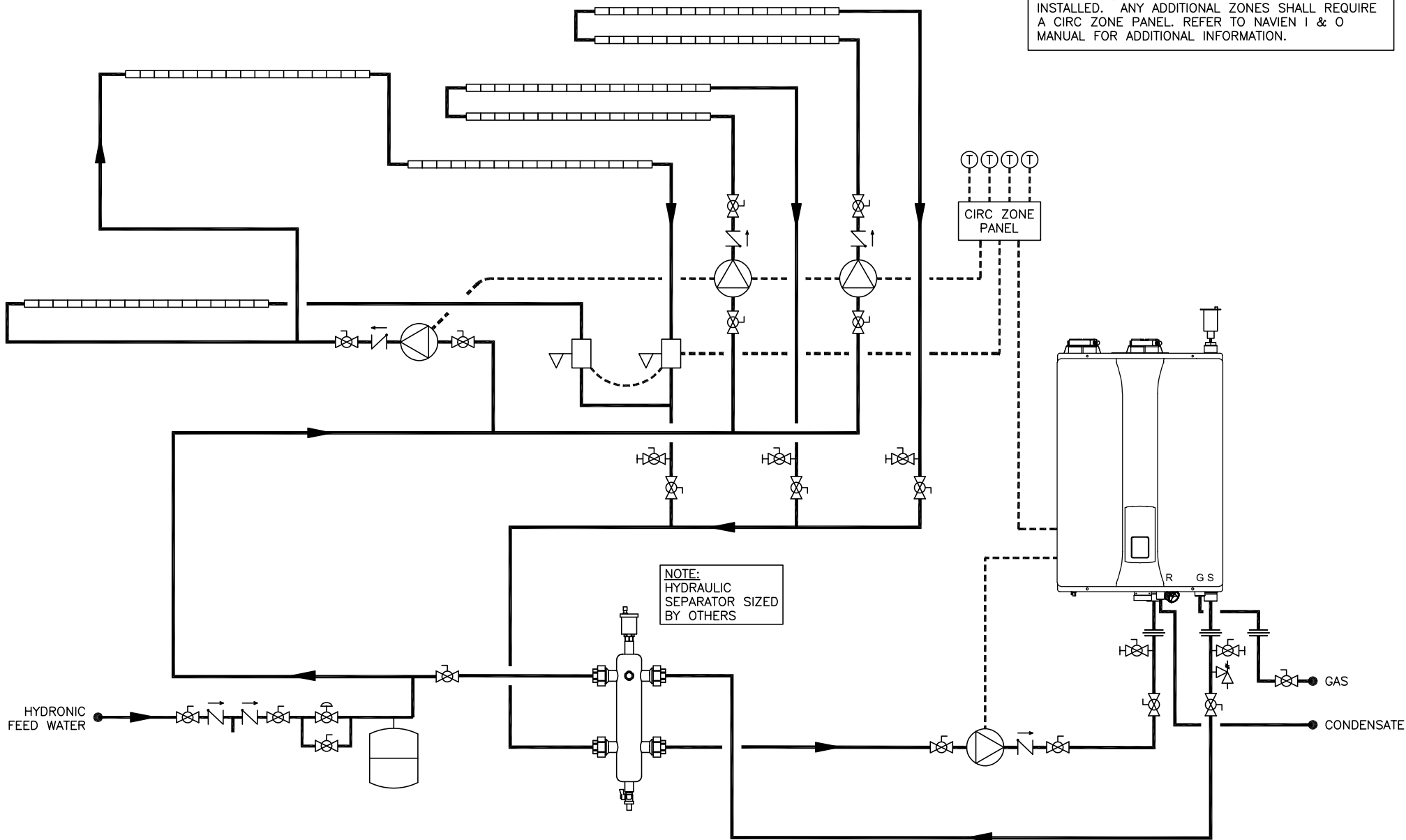


THIS DRAWING IS INTENDED ONLY AS A GUIDE AND NOT AS A REPLACEMENT FOR PROFESSIONALLY ENGINEERED PROJECT DRAWINGS. THIS CONCEPT SYSTEM DRAWING DOES NOT IMPLY COMPLIANCE WITH LOCAL BUILDING CODES. ACTUAL INSTALLATION MAY VARY DEPENDING ON INSTALLATION LOCATION AND PARAMETERS AND IT MUST BE DONE IN ACCORDANCE TO ALL LOCAL BUILDING CODES. VERIFY WITH LOCAL BUILDINGS OFFICIALS BEFORE COMMENCEMENT OF SYSTEM INSTALLATION. CHANGES OR MODIFICATIONS TO PIPING OR DESIGN IS NOT TO BE PERFORMED WITHOUT EXPRESSED WRITTEN PERMISSION BY NAVIEN, INC.

NHB UNIT CAN INTERNALLY CONTROL UP TO 1 ZONE CIRCULATOR, WITHOUT A ZONE CONTROL PANEL INSTALLED. ANY ADDITIONAL ZONES SHALL REQUIRE A CIRC ZONE PANEL. REFER TO I & O MANUAL FOR ADDITIONAL INFORMATION.



NOTE:
HYDRAULIC
SEPARATOR SIZED
BY OTHERS

HYDRONIC
FEED WATER

GAS

CONDENSATE

SYMBOL LEGEND			
	BACKFLOW PREVENTER		CHECK VALVE
	FULL-PORT VALVE		CIRCULATOR
	EXPANSION TANK		THERMOSTAT
	CONTROL WIRING		PRESSURE RELIEF VALVE
	PRESSURE REDUCING VALVE		AIR ELIMINATION
	HYDRAULIC SEPARATOR		UNION
	AUTOMATIC AIR VENT		COPPER BASEBOARD FIN TUBE
	ZONE VALVE		BALL DRAIN VALVE

Navien
 20 GOODYEAR
 IRVINE, CA 92618
 800-519-8794
 www.navienc.com

NHB SERIES BOILER

(1) NHB BOILER WITH MULTIPLE ZONE CIRCULATORS
 AND ZONE VALVES WITH HYDRAULIC SEPARATOR
 INCLUDES MODELS NHB-55,80,110,150

DRAWN BY: S. STOIKE

NHB-1-2ZP-2ZV-HS

AUGUST 23, 2022