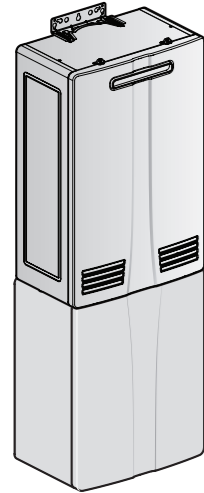


## Pipe Cover Installation Manual

For Models:

NHW700-160AE/180AE/199AE  
NHW700-160AI/180AI/199AI

For Non-Condensing  
Water Heater Models Only



### **DANGER**

Indicates a hazardous situation that if not avoided will result in death or serious injury.

### **WARNING**

Indicates a hazardous situation that if not avoided could result in death or serious injury.

### **CAUTION**

Indicates a potentially hazardous situation that if not avoided could result in minor or moderate injury.

### **NOTICE**

Indicates information considered important but not hazard-related (such as property damage).

### **DANGER**

If the information in these instructions is not followed exactly, a fire or explosion may result, causing property damage, personal injury, or death.

- Installation and service must be performed by a qualified installer, service agency or the gas supplier.
- The installation must conform with local codes or, in the absence of local codes, the National Fuel Gas Code, ANSI Z223.1/NFPA 54 and/or CSA B149.1, Natural Gas and Propane Installation Code.

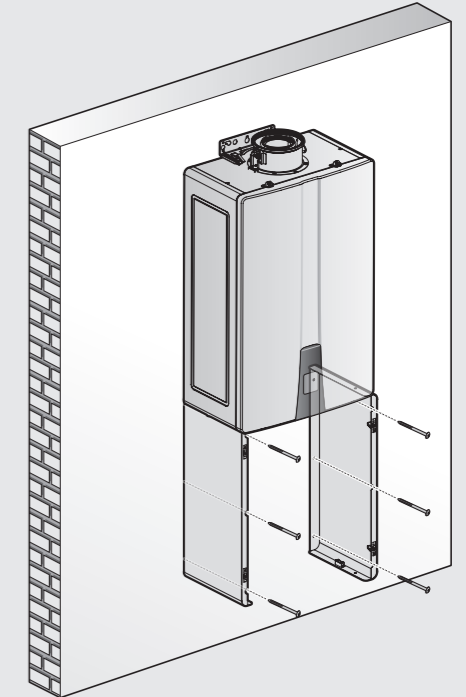
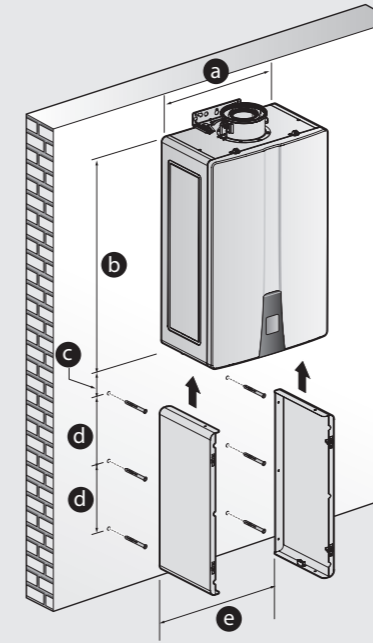
### **WARNING**

#### Fire and Explosion Hazard

Do not store or use gasoline or other flammable liquids near this water heater. Doing so may result in fire or explosion.

## Installing the Pipe Cover

1. Drill six holes that line up with the holes of the side covers into the selected wall, and then insert the anchors into the holes.
2. Attach the left and right side covers to the bottom of the water heater.
3. Align both side covers to the wall where the holes were drilled, and affix them to the wall using the provided six screws.



Item	Dimensions
a	17.3" (440 mm)
b	26.5" (675 mm)
c	1.4" (35 mm)
d	7.5" (190 mm)
e	16.0" (406 mm)

1 3  
2 4

### **WARNING**

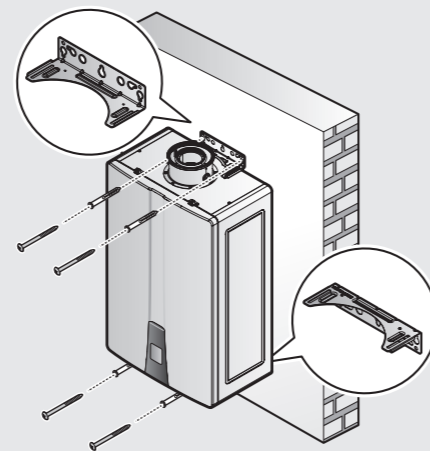
Cancer and Reproductive Harm -  
[www.P65Warnings.ca.gov](http://www.P65Warnings.ca.gov)

## Mounting the Water Heater

Navien water heaters come with two upper and lower mounting brackets that are pre-drilled at 16 in for easy installation on standard wall studs. If the strength of the wall is insufficient or if the framing is non-standard or uneven, reinforce the area before installing the water heater. Avoid installation on common walls as the unit will make some operational noises while it is running.

To mount the water heater to the wall:

Securely attach the water heater to the wall by affixing the brackets at the top and bottom of the water heater.

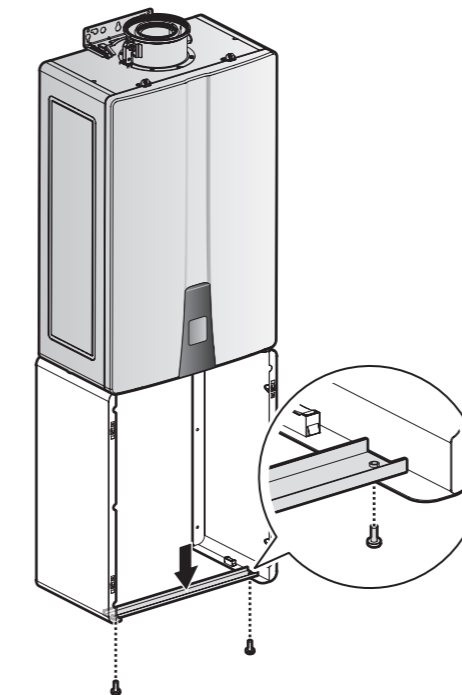


When mounted with the mounting bracket, the water heater will have a 5/8" (16mm) clearance from the back of the wall.

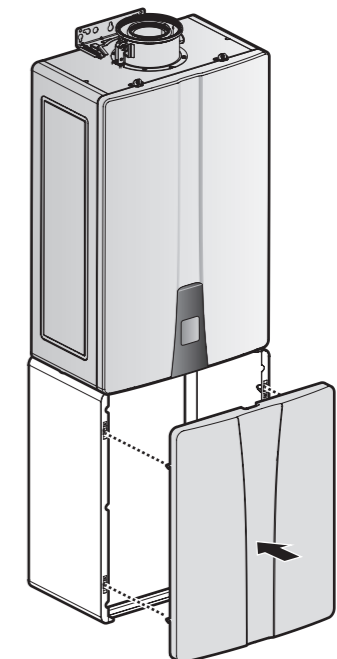
### **NOTICE**

Do not mount the water heater to drywall that has not been reinforced.

4. Install the support bracket between the left and right side covers, fastening it with two screws.



5. Attach the front cover to both side covers by inserting the latches on the front cover in the provided four slots.



## Required Tools



Phillips Screwdriver

## Included Items

Left Side Cover	Right Side Cover	Front Cover
Support Bracket & Screws 2 EA	Tapping Screws & Anchors 6 EA	Installation Manual



Navien, Inc.

20 Goodyear Irvine, CA 92618

TEL 1-800-519-8794 FAX 1-949-420-0430

[www.navieninc.com](http://www.navieninc.com)