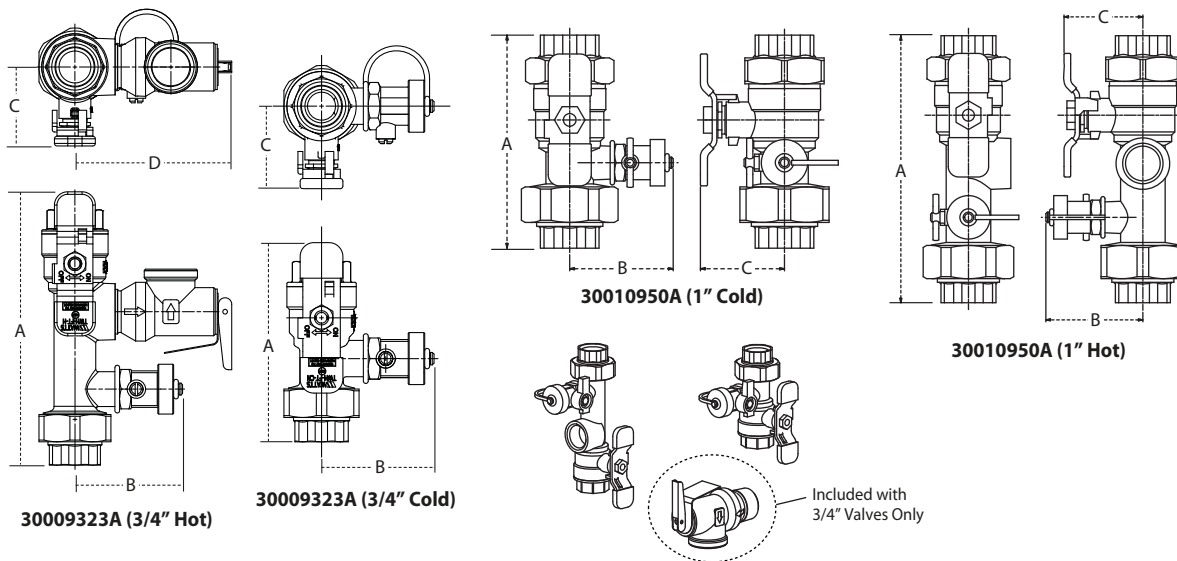


- Navien **Plumb Easy Valves** are designed to provide ease of installation and operation as well as for quick maintenance for our water heater and boiler models
- Compatible with all Navien models:
NPE Tankless Water Heater Series
NCB Combi-Boiler Series
NHB Boiler Series
- Available in $\frac{3}{4}$ " (with 150 PSI Pressure Relief Valve)* and 1" connection sizes
** All $\frac{3}{4}$ " valves are Lead-Free and certified to NSF/ANSI Standard 372*
- Full-port, quarter-turn **ball valves** with color-coded tee handles and unions
- Quarter-turn **purge and drain valves** with hose connections and tethered brass caps
- The Plumb Easy Valve Set contains the following items:
 - One (1) **Hot Water Service Valve** with **Red Handle**
 - One (1) **Cold Water Service Valve** with **Blue Handle**
 - One (1) **Pressure Relief Valve** certified to ANSI Z21.22
(included with $\frac{3}{4}$ " service valves only)
- **Part Numbers:** 30009323A (for $\frac{3}{4}$ " valves) and 300010950A (for 1" valves)
- **Materials:**
 - $\frac{3}{4}$ " valves - Lead-Free Copper Silicon Alloy (body) with Brass (ball) and Virgin PTFE (seats)
 - 1" valves - Forged Brass (body) with Plated Brass (ball) and Virgin PTFE (seats)
- **Max Operating Temperature:** 185°F
- **Max Operating Pressure:** 150 PSI (for $\frac{3}{4}$ " valves) and 30 PSI (for 1" valves)



(Pressure Relief Valve included with $\frac{3}{4}$ " Service Valves only)

Specifications



SIZE (DN)		MODEL	CONNECTIONS	DIMENSIONS					WEIGHT						
in.	mm			A	B	C	D	E	lbs.	kgs.					
$\frac{3}{4}$ "	20	30009323A (Cold)	Union x FPT	4 $\frac{1}{16}$	103	2 $\frac{1}{2}$	64	1 $\frac{7}{8}$	47	–	–	–	–	1.9	0.9
$\frac{3}{4}$ "	20	30009323A (Hot)	Union x FPT	6	152	2 $\frac{1}{2}$	64	1 $\frac{7}{8}$	47	3 $\frac{1}{2}$	89	2 $\frac{7}{16}$	62	2.1	0.9
1"	25	30010950A (Cold)	Union x Union	5 $\frac{3}{8}$	137	2 $\frac{5}{8}$	66	2 $\frac{1}{8}$	54	–	–	–	–	3.0	1.3
1"	25	30010950A (Hot)	Union x Union	7 $\frac{3}{16}$	183	2 $\frac{5}{8}$	66	2 $\frac{1}{8}$	53	–	–	2 $\frac{5}{8}$	66	3.3	1.5